


**Product Approval**  
 USER: Public User

[Product Approval Menu](#) > [Product or Application Search](#) > [Application List](#) > **Application Detail**

FL #	FL5891-R6												
Application Type	Revision												
Code Version	2017												
Application Status	Approved												
Comments													
Archived													
Product Manufacturer	Therma-Tru Corporation												
Address/Phone/Email	118 Industrial Drive Edgerton, OH 43517 (419) 298-1740 rickw@rwbldgconsultants.com												
Authorized Signature	Rick Wright rickw@rwbldgconsultants.com												
Technical Representative													
Address/Phone/Email													
Quality Assurance Representative													
Address/Phone/Email													
Category	Exterior Doors												
Subcategory	Swinging Exterior Door Assemblies												
Compliance Method	Evaluation Report from a Florida Registered Architect or a Licensed Florida Professional Engineer Evaluation Report - Hardcopy Received												
Florida Engineer or Architect Name who developed the Evaluation Report	Lyndon Schmidt, P.E.												
Florida License	PE-43409												
Quality Assurance Entity	National Accreditation and Management Institute												
Quality Assurance Contract Expiration Date	12/31/2021												
Validated By	Ryan J. King, P.E. ✔ Validation Checklist - Hardcopy Received												
Certificate of Independence	<a href="#">FL5891_R6_COI_(a)_Certificate_of_Independence.pdf</a>												
Referenced Standard and Year (of Standard)	<table border="0"> <thead> <tr> <th><u>Standard</u></th> <th><u>Year</u></th> </tr> </thead> <tbody> <tr> <td>ASTM E1886</td> <td>2005</td> </tr> <tr> <td>ASTM E1996</td> <td>2009</td> </tr> <tr> <td>ASTM E330</td> <td>2002</td> </tr> <tr> <td>ASTM E331</td> <td>2000</td> </tr> <tr> <td>TAS 202</td> <td>1994</td> </tr> </tbody> </table>	<u>Standard</u>	<u>Year</u>	ASTM E1886	2005	ASTM E1996	2009	ASTM E330	2002	ASTM E331	2000	TAS 202	1994
<u>Standard</u>	<u>Year</u>												
ASTM E1886	2005												
ASTM E1996	2009												
ASTM E330	2002												
ASTM E331	2000												
TAS 202	1994												
Equivalence of Product Standards Certified By													
Sections from the Code													

Product Approval Method

Method 1 Option D

Date Submitted

10/17/2017

Date Validated

10/17/2017

Date Pending FBC Approval

10/22/2017

Date Approved

12/12/2017

## Summary of Products

FL #	Model, Number or Name	Description
5891.1	a. "FiberClassic"	6'8 "Impact" Opaque Fiberglass Single Door (X) Inswing or Outswing Configuration
<b>Limits of Use</b> <b>Approved for use in HVHZ:</b> No <b>Approved for use outside HVHZ:</b> Yes <b>Impact Resistant:</b> Yes <b>Design Pressure:</b> N/A <b>Other:</b> See INST 5891.1 for Design Pressure Ratings by specific Model and for any other additional use limitations and installation instructions. (For FiberClassic doors, this product approval requires the use of "J" part numbers for these doors, which have been stained or painted within six months of installation.)		<b>Installation Instructions</b> <a href="#">FL5891_R6_II (a) Inst 5891.1.pdf</a> Verified By: Lyndon Schmidt, P.E. 43409 Created by Independent Third Party: Yes <b>Evaluation Reports</b> <a href="#">FL5891_R6_AE (a) Eval 5891.1.pdf</a> Created by Independent Third Party: Yes
5891.2	b. "SmoothStar"	6'8 "Impact" Opaque Fiberglass Single Door (X) Inswing or Outswing Configuration
<b>Limits of Use</b> <b>Approved for use in HVHZ:</b> No <b>Approved for use outside HVHZ:</b> Yes <b>Impact Resistant:</b> Yes <b>Design Pressure:</b> N/A <b>Other:</b> See INST 5891.2 for Design Pressure Ratings by specific Model and for any other additional use limitations and installation instructions. (For SmoothStar doors, this product approval requires the use of "J" part numbers for these doors, which have been stained or painted within six months of installation.)		<b>Installation Instructions</b> <a href="#">FL5891_R6_II (a) Inst 5891.2.pdf</a> Verified By: Lyndon Schmidt, P.E. 43409 Created by Independent Third Party: Yes <b>Evaluation Reports</b> <a href="#">FL5891_R6_AE (a) Eval 5891.2.pdf</a> Created by Independent Third Party: Yes
5891.3	c. "ClassicCraft"	6'8 "Impact" Opaque Fiberglass Single Door (X) Inswing or Outswing Configuration
<b>Limits of Use</b> <b>Approved for use in HVHZ:</b> No <b>Approved for use outside HVHZ:</b> Yes <b>Impact Resistant:</b> Yes <b>Design Pressure:</b> N/A <b>Other:</b> See INST 5891.3 for Design Pressure Ratings by specific Model and for any other additional use limitations and installation instructions.		<b>Installation Instructions</b> <a href="#">FL5891_R6_II (a) Inst 5891.3.pdf</a> Verified By: Lyndon Schmidt, P.E. 43409 Created by Independent Third Party: Yes <b>Evaluation Reports</b> <a href="#">FL5891_R6_AE (a) Eval 5891.3.pdf</a> Created by Independent Third Party: Yes
5891.4	d. "FiberClassic"	8'0 "Impact" Opaque Fiberglass Single Door (X) Inswing or Outswing Configuration
<b>Limits of Use</b> <b>Approved for use in HVHZ:</b> No <b>Approved for use outside HVHZ:</b> Yes <b>Impact Resistant:</b> Yes <b>Design Pressure:</b> N/A <b>Other:</b> See INST 5891.4 for Design Pressure Ratings by specific Model and for any other additional use limitations and installation instructions. (For FiberClassic doors, this product approval requires the use of "J" part numbers for these doors, which have been stained or painted within six months of installation.)		<b>Installation Instructions</b> <a href="#">FL5891_R6_II (a) Inst 5891.4.pdf</a> Verified By: Lyndon Schmidt, P.E. 43409 Created by Independent Third Party: Yes <b>Evaluation Reports</b> <a href="#">FL5891_R6_AE (a) Eval 5891.4.pdf</a> Created by Independent Third Party: Yes
5891.5	e. "SmoothStar"	8'0 "Impact" Opaque Fiberglass Single Door (X) Inswing or Outswing Configuration
<b>Limits of Use</b> <b>Approved for use in HVHZ:</b> No <b>Approved for use outside HVHZ:</b> Yes <b>Impact Resistant:</b> Yes <b>Design Pressure:</b> N/A <b>Other:</b> See INST 5891.5 for Design Pressure Ratings by specific Model and for any other additional use limitations and installation instructions. (For SmoothStar doors, this product		<b>Installation Instructions</b> <a href="#">FL5891_R6_II (a) Inst 5891.5.pdf</a> Verified By: Lyndon Schmidt, P.E. 43409 Created by Independent Third Party: Yes <b>Evaluation Reports</b> <a href="#">FL5891_R6_AE (a) Eval 5891.5.pdf</a> Created by Independent Third Party: Yes

approval requires the use of "J" part numbers for these doors, which have been stained or painted within six months of installation.)		
5891.6	f. "ClassicCraft"	8'0 "Impact" Opaque Fiberglass Single Door (X) Inswing or Outswing Configuration
<b>Limits of Use</b> <b>Approved for use in HVHZ:</b> No <b>Approved for use outside HVHZ:</b> Yes <b>Impact Resistant:</b> Yes <b>Design Pressure:</b> N/A <b>Other:</b> See INST 5891.6 for Design Pressure Ratings by specific Model and for any other additional use limitations and installation instructions.		<b>Installation Instructions</b> <a href="#">FL5891_R6_II_(a)_Inst_5891.6.pdf</a> Verified By: Lyndon Schmidt, P.E. 43409 Created by Independent Third Party: Yes <b>Evaluation Reports</b> <a href="#">FL5891_R6_AE_(a)_Eval_5891.6.pdf</a> Created by Independent Third Party: Yes

[Back](#)   [Next](#)

Contact Us :: 2601 Blair Stone Road, Tallahassee FL 32399 Phone: 850-487-1824

The State of Florida is an AA/EEO employer. Copyright 2007-2013 State of Florida. :: [Privacy Statement](#) :: [Accessibility Statement](#) :: [Refund Statement](#)

Under Florida law, email addresses are public records. If you do not want your e-mail address released in response to a public-records request, do not send electronic mail to this entity. Instead, contact the office by phone or by traditional mail. If you have any questions, please contact 850.487.1395. \*Pursuant to Section 455.275(1), Florida Statutes, effective October 1, 2012, licensees licensed under Chapter 455, F.S. must provide the Department with an email address if they have one. The emails provided may be used for official communication with the licensee. However email addresses are public record. If you do not wish to supply a personal address, please provide the Department with an email address which can be made available to the public. To determine if you are a licensee under Chapter 455, F.S., please click [here](#).

Product Approval Accepts:



Credit Card  
Safe



# THERMA TRU®

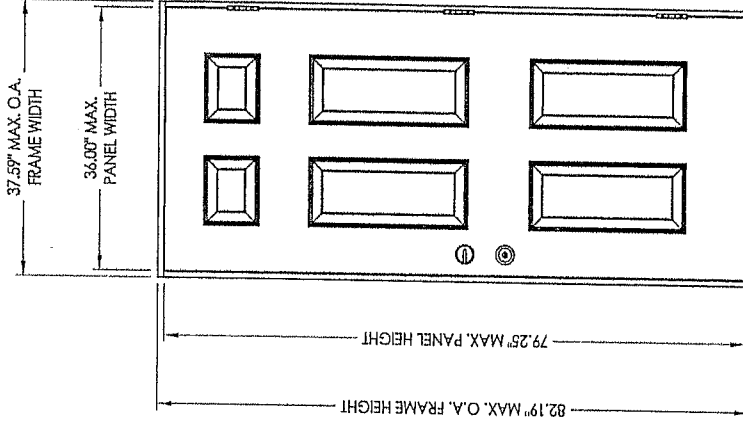
THERMA TRU DOORS  
118 INDUSTRIAL DR., EDGERTON, OH 43517

## 3'0" X 6'8" "FIBER CLASSIC" FIBERGLASS SINGLE DOOR INSWING / OUTSWING "IMPACT"

### GENERAL NOTES

- This product has been evaluated and is in compliance with the 6th Edition (2017) Florida Building Code (FBC) structural requirements excluding the "High Velocity Hurricane Zone" (HVHZ).
- Product anchors shall be as listed and spaced as shown on details. Anchor embedment to base material shall be beyond wall dressing or stucco.
- When used in areas requiring wind borne debris protection this product complies with FBC Sections 1609.1.2 & R301.2.1.2 and does not require an impact resistant covering. This product meets missile level "D" and excludes Wind Zone 4 as defined in ASTM E1996 and FBC Sections 1609.1.2.2 & R301.2.1.2.1.
- For 2x stud framing construction, anchoring of these units shall be the same as that shown for 2x buck masonry construction.
- Site conditions that deviate from the details of this drawing require further engineering analysis by a licensed engineer or registered architect.

TABLE OF CONTENTS	
SHEET #	DESCRIPTION
1	Typical elevations, design pressures & general notes
2	Door panel details
3	Horizontal cross sections
4	Vertical cross sections
5	Buck and frame anchoring - 2x buck masonry construction
6	Frame anchoring - 1x buck masonry construction
7	Bill of Materials & Components



SWING	OVERALL FRAME DIMENSION	DESIGN PRESSURE (PSF)	
		POSITIVE	NEGATIVE
INSWING	37.59" x 82.19"	+67.0	-67.0
OUTSWING	37.59" x 80.69"	+67.0	-67.0

L.F. SCHMIDT  
 No. 43409  
 STATE OF FLORIDA  
 PROFESSIONAL ENGINEER

Documents Prepared By: Lyndon F. Schmidt  
 P.E. No. 43409  
 October 17, 2017

BUILDING CONSULTANTS, INC.  
 P.O. Box 230, Valrico, FL 33595  
 Phone No.: 813.659.9197  
 FBPE C.A. No. 9813

PRODUCT: THERMA-TRU FIBERGLASS DOOR  
 PART OR ASSEMBLY: TYPICAL ELEVATION, DESIGN PRESSURES & GENERAL NOTES

NO.	DATE	REVISIONS
1	6/11/12	REVISED TO 2010 FBC
2	1/28/15	UPDATE TO 6TH ED. (2014) FBC
3	10/17/17	UPDATE TO 6TH ED. (2017) FBC

DATE: 4/23/08  
 SCALE: N.T.S.  
 DWG. BY: AL  
 CHK. BY: LFS  
 DRAWING NO.: FL-5891.1  
 SHEET 1 of 7

REVISIONS	
NO.	DATE
1	6/11/12
2	1/28/15
3	10/17/17

DATE: 4/23/08  
 SCALE: N.T.S.  
 DWG. BY: AL  
 CHK. BY: LFS  
 DRAWING NO.: FL-5891.1  
 SHEET 2 OF 7

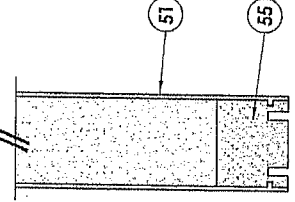
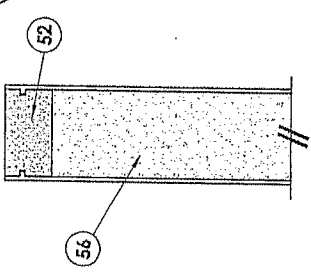
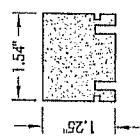
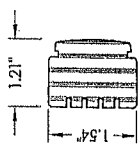
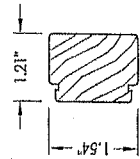
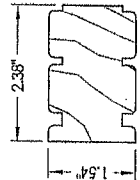
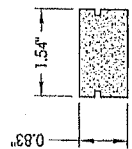
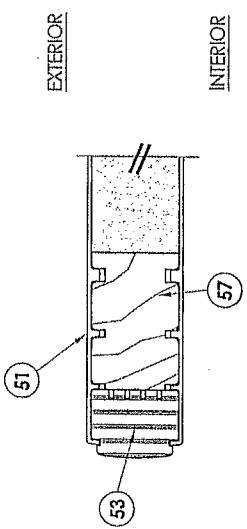
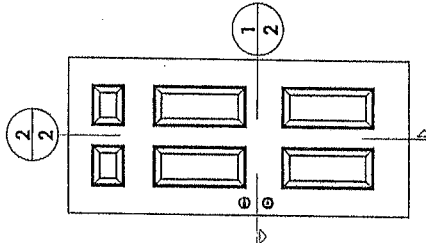
BY	DATE	DESCRIPTION
JK		DOOR PANEL DETAILS
LFS		PART OR ASSEMBLY:
JK		PRODUCT:

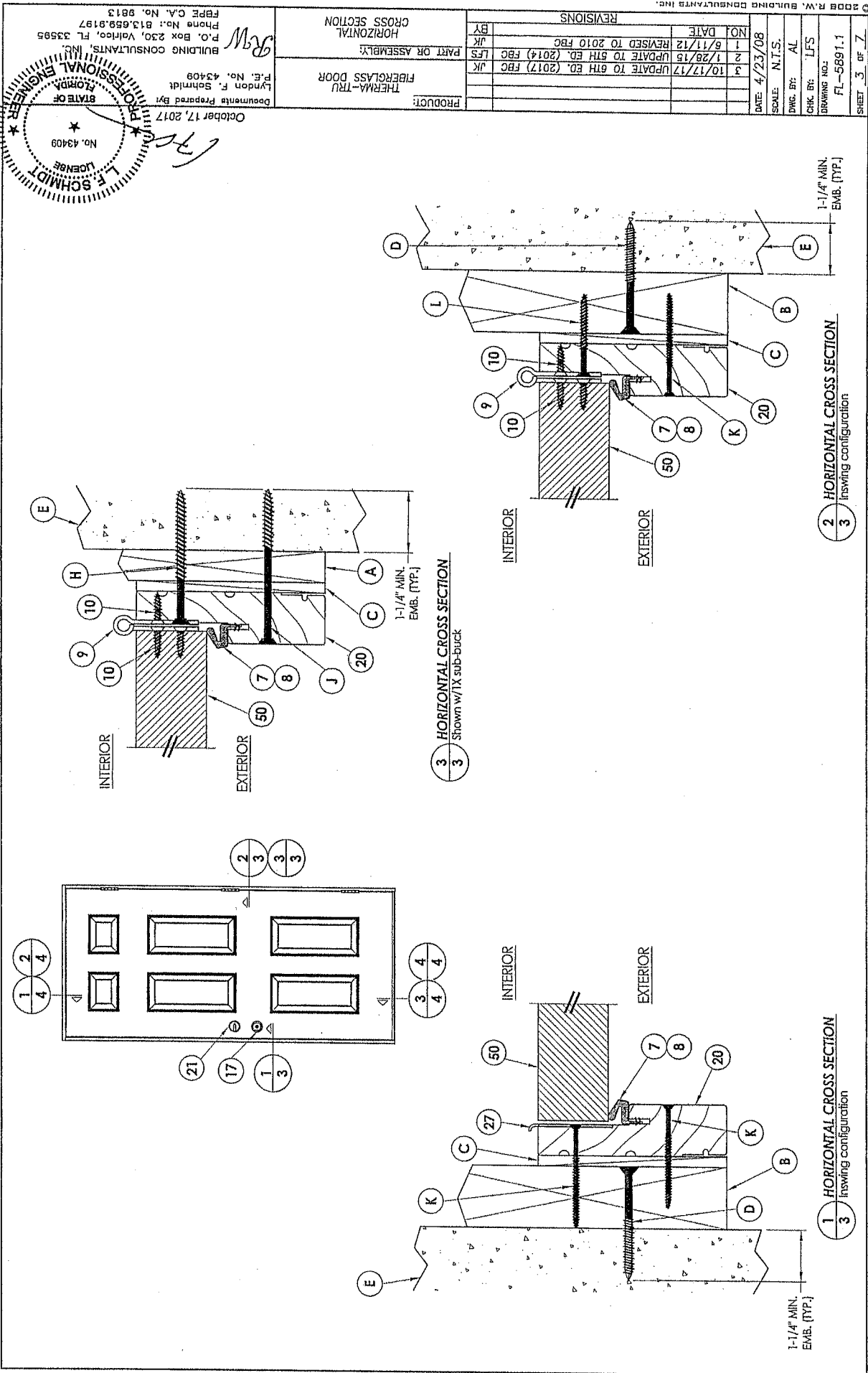
THERMA-TRU  
 FIBERGLASS DOOR

October 17, 2017  
 Documents Prepared By: Lydon F. Schmidt  
 P.E. No. 43408  
 BUILDING CONSULTANTS, INC.  
 P.O. Box 230, Volusia, FL 32905  
 Phone No.: 813.658.9197  
 FBPE C.A. No. 9813

*RSM*

PROFESSIONAL ENGINEER  
 FLORIDA  
 L. SCHMIDT  
 No. 43408  
 LICENSE





1 HORIZONTAL CROSS SECTION  
3 inswing configuration

2 HORIZONTAL CROSS SECTION  
3 inswing configuration

3 HORIZONTAL CROSS SECTION  
3 Shown w/TX sub-buck

NO.	DATE	REVISIONS
1	6/11/12	REVISED TO 2010 FBC
2	1/28/15	UPDATE TO 6TH ED. (2014) FBC
3	10/17/17	UPDATE TO 6TH ED. (2017) FBC

DATE: 4/23/08  
SCALE: N.T.S.  
DWG. BY: AL  
CHK. BY: LFS  
DRAWING NO.: FL-5891-1  
SHEET 3 OF 7

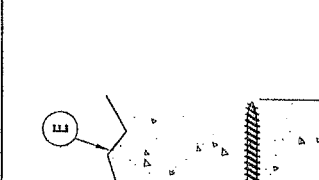
PRODUCT: THERMA-TRU FIBERGLASS DOOR

PART OR ASSEMBLY: HORIZONTAL CROSS SECTION

Documents Prepared By: Lyndon F. Schmidt  
P.E. No. 43409

October 17, 2017

BUILDING CONSULTANTS, INC.  
P.O. Box 230, Valrico, FL 33595  
Phone No.: 813.669.9197  
FPE C.A. No. 9813

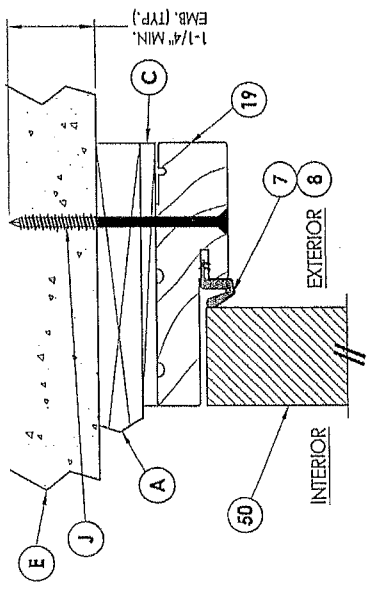
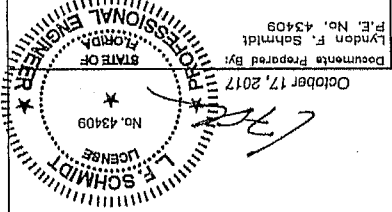


REVISIONS	
NO.	DATE
1	6/11/12
2	1/28/15
3	10/17/17

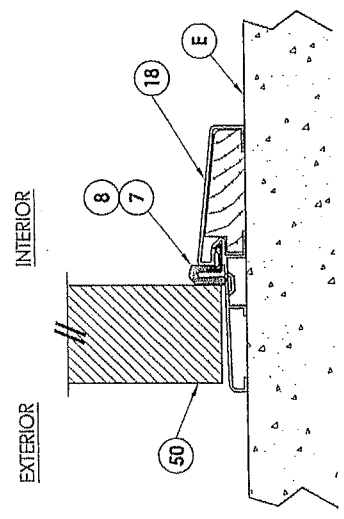
DATE: 4/23/08  
 SCALE: N.T.S.  
 DWG. BY: AL  
 CHK. BY: LFS  
 DRAWING NO.: FL-5891.1  
 SHEET 4 OF 7

PRODUCT:	Therma-Tru FIBERGLASS DOOR
PART OR ASSEMBLY:	VERTICAL CROSS SECTIONS

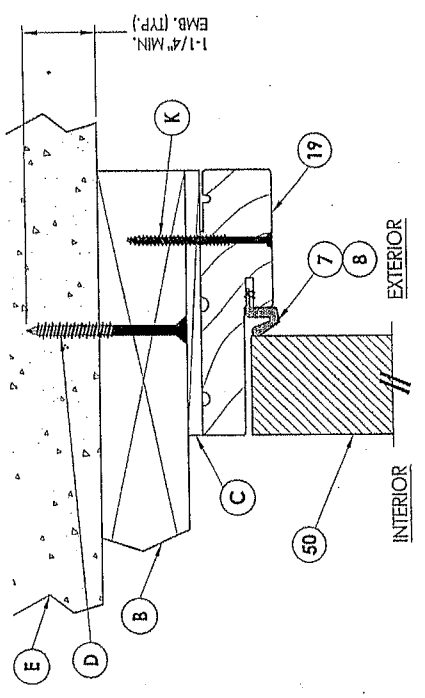
Documents Prepared By:  
 Lyndon F. Schmidt  
 P.E. No. 43409  
 BUILDING CONSULTANTS, INC.  
 P.O. Box 230, Vero Beach, FL 33595  
 Phone No.: 813.858.9197  
 FBPE C.A. No. 9813



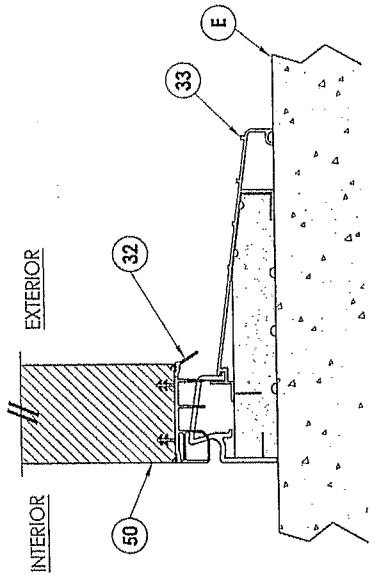
2 VERTICAL CROSS SECTION  
 4 Shown w/IX sub-buck



4 VERTICAL CROSS SECTION  
 4 Outswinging configuration



1 VERTICAL CROSS SECTION  
 4 Inswinging configuration



3 VERTICAL CROSS SECTION  
 4 Inswinging configuration

2008 R.W. BUILDING CONSULTANTS INC.

REVISIONS	
NO.	DATE
1	6/11/12
2	1/28/16
3	10/17/17
UPDATE TO 6TH ED. (2017) FBC JK	
UPDATE TO 5TH ED. (2014) FBC LFS	
REVISED TO 2010 FBC JK	
BY	

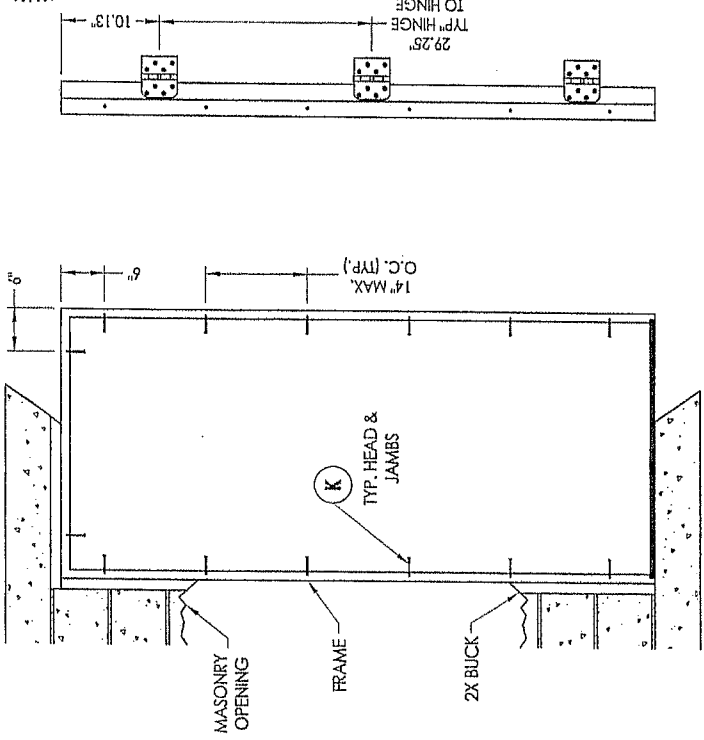
DATE: 4/23/08  
 SCALE: N.T.S.  
 DES. BY: AL  
 CHK. BY: LFS  
 DRAWING NO.: FL-5891.1  
 SHEET 5 OF 7

October 17, 2017

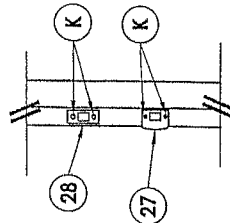
Documents Prepared By: Lyndon F. Schmidt  
 P.E. No. 43409

BUILDING CONSULTANTS, INC.  
 P.O. Box 230, Vero Beach, FL 33595  
 Phone No. 813.699.9197  
 FBPE O.A. No. 9813

**L.F. SCHMIDT**  
 LICENSE No. 43409  
 STATE OF FLORIDA  
 PROFESSIONAL ENGINEER

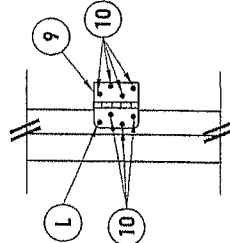


**HINGE JAMB**

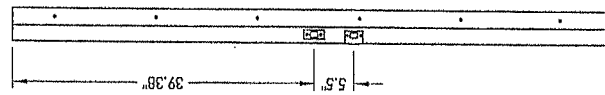


**LATCH & DEADBOLT DETAIL**

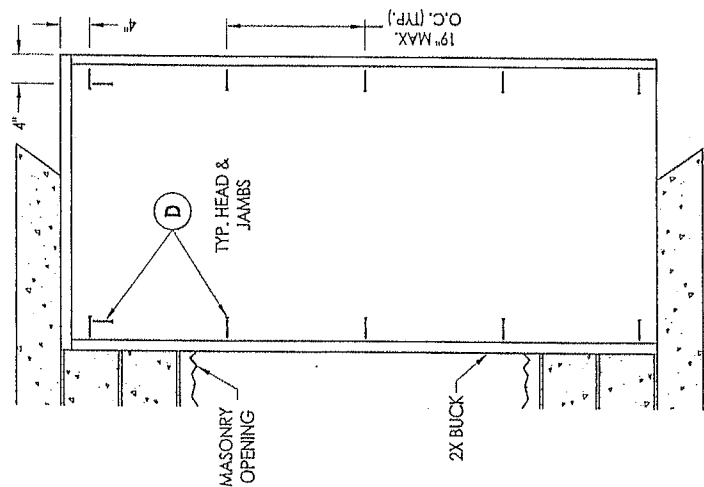
**FRAME ANCHORING**  
 Masonry 2x buck construction



**HINGE DETAIL**



**STRIKE JAMB**



**BUCK ANCHORING**

- CONCRETE ANCHOR NOTES:**
- Concrete anchor locations at the corners may be adjusted to maintain the min. edge distance to mortar joints.
  - Concrete anchor locations noted as "MAX. ON CENTER" must be adjusted to maintain the min. edge distance to mortar joints. Additional concrete anchors may be required to ensure the "MAX. ON CENTER" dimension are not exceeded.
  - Concrete anchor table:

ANCHOR TYPE	ANCHOR SIZE	MIN. EMBEDMENT	MIN. CLEARANCE TO MASONRY EDGE	MIN. CLEARANCE TO ADJACENT ANCHOR
ITW TAPCON®	1/4"	1-1/4"	2"	4"
EICO ULTRACON®	1/4"	1-1/4"	1"	4"

**WOOD SCREW INSTALLATION NOTES:**

- Maintain a minimum 5/8" edge distance, 1" end distance, & 1" o.c. spacing of wood screws to prevent the splitting of wood.

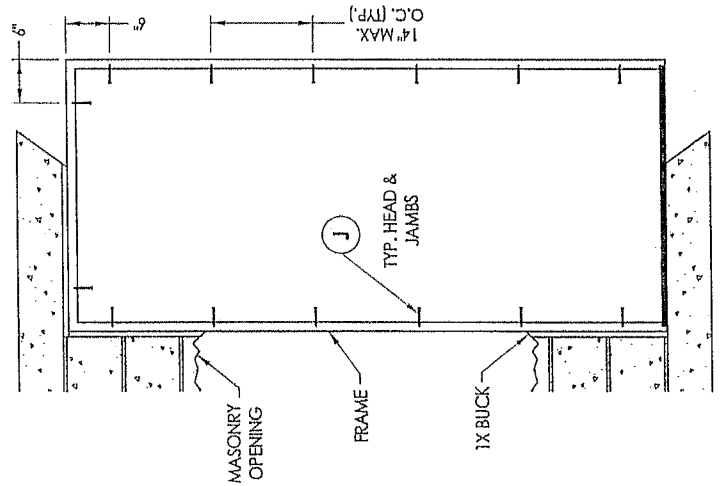


- CONCRETE ANCHOR NOTES:**
- Concrete anchor locations at the corners may be adjusted to maintain the min. edge distance to mortar joints.
  - Concrete anchor locations noted as "MAX. ON CENTER" must be adjusted to maintain the min. edge distance to mortar joints, additional concrete anchors may be required to ensure the "MAX. ON CENTER" dimension are not exceeded.
  - Concrete anchor table:

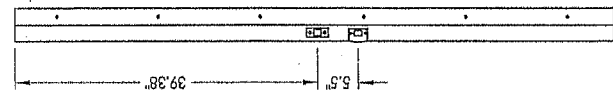
ANCHOR TYPE	ANCHOR SIZE	MIN. EMBEDMENT	MIN. CLEARANCE TO MASONRY EDGE	MIN. CLEARANCE TO ADJACENT ANCHOR
ITW TAPCON®	1/4"	1-1/4"	2"	4"
ITW TAPCON®	3/16"	1-1/4"	3"	1-1/2"

**WOOD SCREW INSTALLATION NOTES:**

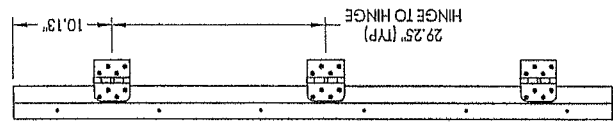
- Maintain a minimum 5/8" edge distance, 1" end distance, & 1" o.c. spacing of wood screws to prevent the splitting of wood.



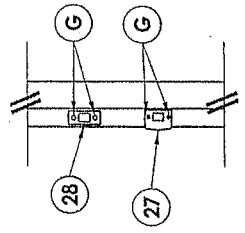
**FRAME ANCHORING**  
Masonry 1x6 buck construction



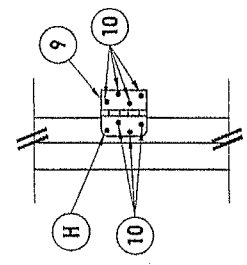
**STRIKE JAMB**



**HINGE JAMB**



**LATCH & DEADBOLT DETAIL**



**HINGE DETAIL**

October 17, 2017

Documents Prepared By: Lyndon F. Schmidt  
P.E. No. 43409

Professional Engineer  
L.F. SCHMIDT  
No. 43409  
FLORIDA  
STATE OF

BUILDING CONSULTANTS, INC.  
P.O. Box 230, Valrico, FL 33595  
Phone No. 813.658.9197  
FBPE C.A. No. 9813

PRODUCT: THERMA-TRU  
FIBERGLASS DOOR

PART OR ASSEMBLY: MASONRY ANCHORING 1X BUCK

NO.	DATE	REVISIONS
1	6/11/12	REVISED TO 2010 FBC
2	1/28/16	UPDATE TO 6TH ED. (2014) FBC
3	10/17/17	UPDATE TO 6TH ED. (2017) FBC

SCALE: N.T.S.  
DWG. BY: AL  
CHK. BY: LFS  
DRAWING NO.: FL-5891.1  
SHEET 6 OF 7

L.F. SCHMIDT  
 LICENSE  
 No. 43409  
 STATE OF FLORIDA  
 PROFESSIONAL ENGINEER

Documents Prepared By:  
 Lynden F. Schmidt  
 P.E. No. 43409

October 17, 2017

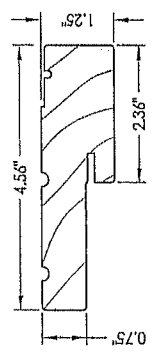
BUILDING CONSULTANTS, INC.  
 P.O. Box 230, Valrico, FL 33595  
 Phone No.: 813.659.9197  
 FBPE C.A. No. 9813

NO.	DATE	REVISIONS
1	6/11/12	REVISED TO 2010 FBC
2	1/28/15	UPDATE TO 6TH ED. (2014) FBC
3	10/17/17	UPDATE TO 6TH ED. (2017) FBC

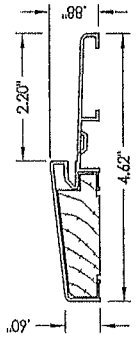
PRODUCT: THERMA-TRU FIBERGLASS DOOR  
 PART OR ASSEMBLY:  
 BILL OF MATERIAL &

ITEM	DESCRIPTION	MATERIAL
A	1X BUCK SG >= 0.55	WOOD
B	2X BUCK SG >= 0.55	WOOD
C	MAX. 1/4" SHIM SPACE	WOOD
D	1/4" X 2-3/4" PH ELCO OR ITW CONCRETE SCREW	STEEL
E	MASONRY - 3,000 PSI MIN. CONCRETE CONFORMING TO ACI 301 OR HOLLOW BLOCK CONFORMING TO ASTM C90	CONCRETE
G	3/16" X 3-1/4" PH ITW CONCRETE SCREW	STEEL
H	1/4" X 3-1/4" PH ITW CONCRETE SCREW	STEEL
J	1/4" X 3-3/4" PH ITW CONCRETE SCREW	STEEL
K	#8 X 2-1/2" PH WOOD SCREW (1.15" MIN. EMBEDMENT)	STEEL
L	#10 X 2" PH WOOD SCREW	STEEL
7	SHORT REACH COMPRESSION WEATHERSTRIP	FOAM
8	LONG REACH COMPRESSION WEATHERSTRIP	FOAM
9	4" X 4" HINGE .097" THK.	STEEL
10	#10 X 3/4" PH WOOD SCREW	STEEL
17	KWIKSET SIGNATURE SERIES PASSAGE LOCK	ALUM./WOOD
18	LOW PROFILE OUTSWING BUMP FACE THRESHOLD	WOOD
19	HEADER JAMB (PINE, S.G. >= 0.42)	WOOD
20	SIDE JAMB (PINE, S.G. >= 0.42)	WOOD
21	KWIKSET SIGNATURE SERIES (780) DEADBOLT	STEEL
27	LATCH STRIKE PLATE	STEEL
28	DEADBOLT PLATE	STEEL
32	DOOR BOTTOM SWEEP	PVC
33	SELF ADJUSTING INSWING SADDLE THRESHOLD	ALUM.COMP.
50	FIBERGLASS DOOR PANEL - FIBER CLASSIC	SMC
51	FC DOOR SKIN .070" MIN. THK. FIBERGLASS BY THERMA-TRU WITH YIELD STRENGTH FY [MIN.] = 6,000 PSI	SMC
52	TOP RAIL	COMPOSITE
53	LATCH STILE	LVL WOOD
54	HINGE STILE	WOOD
55	BOTTOM RAIL	COMPOSITE
56	POLYURETHANE FOAM CORE - 1.9 LBS. DENSITY	FOAM
57	LOCK BLOCK REINFORCEMENT	WOOD

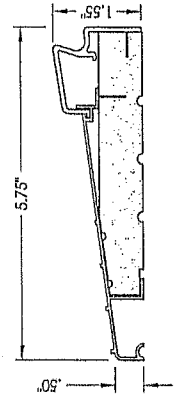
NOTE: WOOD/LVL COMPONENTS (PINE, SG >= 0.42)



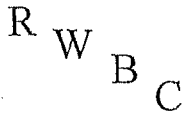
19 HEAD & SIDE Jamb



18 LOW PROFILE OUTSWINGING BUMP FACE



33 SELF ADJUSTING SADDLE THRESHOLD



# R W Building Consultants, Inc.

Consulting and Engineering Services for the Building Industry

P.O. Box 230 Valrico, FL 33595 Phone 813.659.9197

Florida Board of Professional Engineers Certificate of Authorization No. 9813

## Product Evaluation Report

Report No.: FL-5891.1

Date: October 17, 2017

Product Category	Sub Category	Manufacturer	Product Name
Exterior Doors	Swinging Exterior Door Assemblies	Therma Tru Corporation 118 Industrial Drive Edgerton, OH 43517 Phone 419.298.1740	3'0" x 6'8" "Fiber Classic" Fiberglass Single Door Inswing / Outswing "Impact"

**Scope:** This is a Product Evaluation report issued by R W Building Consultants, Inc. and Lyndon F. Schmidt, P.E. for Therma Tru Corporation based on Rule Chapter No. 61G20-3, Method 1D of the State of Florida Product Approval, Department of Business & Professional Regulation.

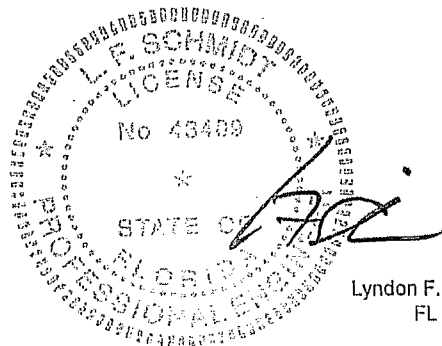
RW Building Consultants and Lyndon F. Schmidt, P.E. do not have nor will acquire financial interest in the company manufacturing or distributing the product or in any other entity involved in the approval process of the product named herein.

### Limitations:

- This product has been evaluated and is in compliance with the 6th Edition (2017) Florida Building Code (FBC) structural requirements excluding the "High Velocity Hurricane Zone" (HVHZ).
- Product anchors shall be as listed and spaced as shown on details. Anchor embedment to base material shall be beyond wall dressing or stucco.
- When used in areas requiring wind borne debris protection this product complies with Section 1609.1.2 of the FBC and does not require an impact resistant covering. This product meets missile level "D" and excludes Wind Zone 4 as defined in ASTM E1996 and Section 1609.1.2.2 of the FBC.
- For 2x stud framing construction, anchoring of these units shall be the same as that shown for 2x buck masonry construction.
- Site conditions that deviate from the details of drawing FL-5891.1 require further engineering analysis by a licensed engineer or registered architect.
- See drawing FL-5891.1 for size and design pressure limitations.

### Supporting Documents:

- |   |  |  |  |
|---|--|--|--|
| 1. <u>Test Report No.</u><br>ETC 01-741-10702.0<br>TEL 01461612   | <u>Test Standard</u><br>TAS 202-94<br>ASTM E330-02, E331-00<br>ASTM E1886-05, E1996-09 | <u>Testing Laboratory</u><br>ETC Laboratories<br>Testing Evaluation Laboratories | <u>Signed by</u><br>Wendell W. Haney, P.E.<br>V. K. Wright |
| 2. <u>Drawing No.</u><br>No. FL-5891.1  | <u>Prepared by</u><br>RW Building Consultants, Inc. (CA #9813)                         |  | <u>Signed &amp; Sealed by</u><br>Lyndon F. Schmidt, P.E.   |
| 3. <u>Calculations</u><br>Anchoring   | <u>Prepared by</u><br>RW Building Consultants, Inc. (CA #9813)                         |  | <u>Signed &amp; Sealed by</u><br>Lyndon F. Schmidt, P.E.   |
| 4. <u>Quality Assurance</u><br>Certificate of Participation issued by National Accreditation and Management Institute, certifying that Therma Tru Corporation is manufacturing products within a quality assurance program that complies with ISO/IEC 17020 and Guide 53. |  |  |  |



Lyndon F. Schmidt, P.E.  
FL PE No. 43409  
10/17/2017